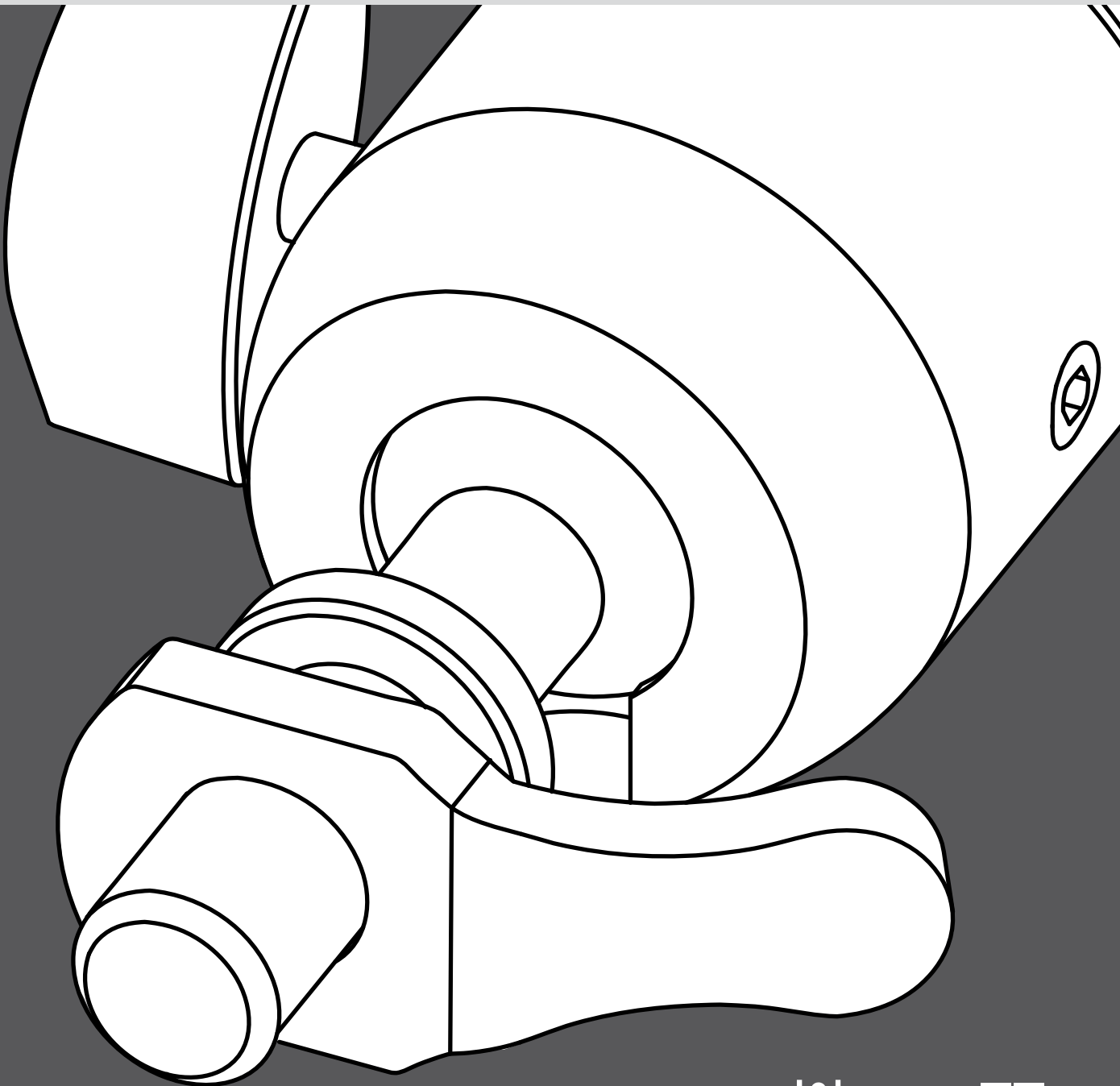


Z

Z5357 **Mounting instructions 1.1 en**



General information

Z5357 Mounting instructions

Version: 1.1 en, 04/2018, D2968.EN .01

Copyright © 2018 by d&b audiotechnik GmbH & Co. KG; all rights reserved.

Keep this document with the product or in a safe place so that it is available for future reference.

When reselling this product, hand over this document to the new owner.

d&b audiotechnik GmbH & Co. KG
Eugen-Adolff-Str. 134, D-71522 Backnang, Germany
T +49-7191-9669-0, F +49-7191-95 00 00
docadmin@dbaudio.com, www.dbaudio.com

1	Z5357 Mounting instructions	4
1.1	Safety precautions	4
1.2	Intended use	4
1.3	Scope of supply	4
1.4	Assembly	5
1.5	Z5038 Fixing plate M10 option	5
2	Manufacturer's declaration	7
2.1	Conformity	7
2.2	Disposal	7

1.1 Safety precautions

General safety

Installation and setup should only be carried out by qualified and authorized personnel observing the valid national Rules for the Prevention of Accidents (RPA).

It is the responsibility of the person installing the assembly to ensure that the suspension/fixing points are suitable for the intended use.

Always carry out a visual and functional inspection of the items before use. In case you have any doubt as to the proper functioning and safety of the items, these must be withdrawn from use immediately.

Load safety information

The maximum permitted working load of the Z5357 E4/E5 Ball joint adapter is 3 kg (6.6 lb) which implies the weight of one E4 or E5 cabinet.

1.2 Intended use

The d&b Z5357 E4/E5 Ball joint adapter must only be used in conjunction with the d&b E-Series loudspeakers E4 and E5 as described in these mounting instructions.

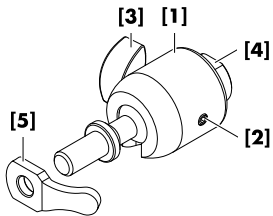
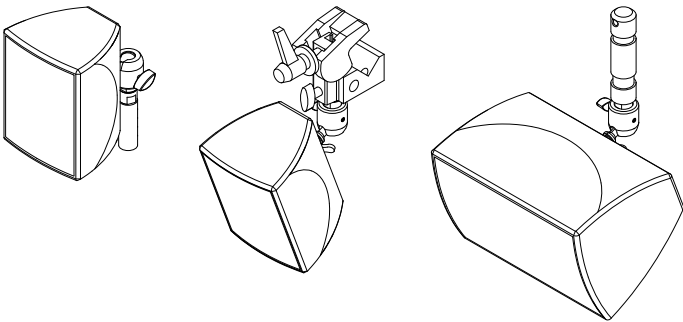
The adapter allows E4 and E5 cabinets to be connected to different d&b mounting accessories such as:

- E6532 Super Clamp with E6533 M10 adapter for Super Clamp
- Z5029 TV spigot
- Z5034 Stand adapter
- Z5035 M10 to 3/8" adapter
- Z5038 Fixing plate M10

Note: Refer to the specific mounting instructions for assembly and operation of these accessories.

1.3 Scope of supply

Please verify the shipment for completeness and proper condition of the items.



Qty.	d&b Code	Description
1	Z5357	d&b E4/E5 Ball joint adapter [1] .
Consisting of:		
1		Set screw [2] .
1		Fixing screws [3] .
1		Threaded insert M10 [4] .
1		Locking device [5] .
1	D2968.EN .01	Mounting instructions.

Weight0.5 kg / 1.1 lb

1.4 Assembly

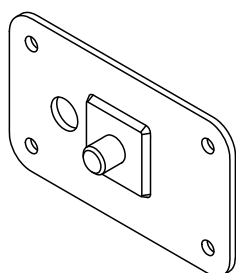
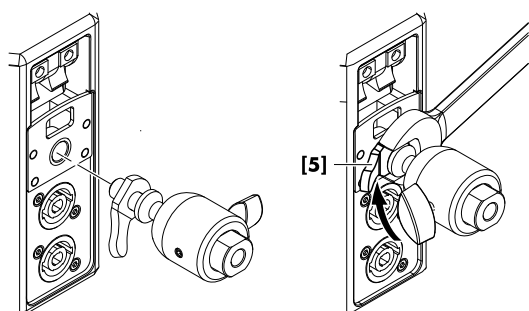
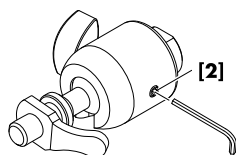
Tools required:

- Open-ended spanner/wrench (size #17)
- Allen hex key 3 mm

Ball joint adapter

The ball joint adapter is equipped with a set screw **[2]**. It is used to preset the clamping of the ball joint.

If necessary, adjust the set screw using the 3 mm Allen hex key.



Attaching the ball joint adapter to the cabinet

1. Attach the ball joint adapter to the M10 threaded insert on the rear panel of the cabinet.
2. Fix the adapter to the cabinet by tightening the locking device **[5]** accordingly. Alternatively an open-ended spanner (size #17) can be used for this purpose.

1.5 Z5038 Fixing plate M10 option

The Z5038 Fixing plate M10 can be used to mount the E4 or E5 cabinets to walls, ceilings or other surfaces.

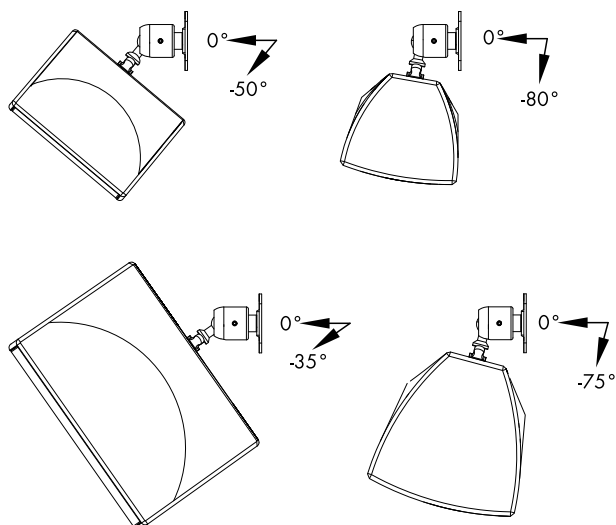
Note: Refer to the respective mounting instructions which are supplied together with the fixing plate.

If the cabinets are mounted to a wall, both horizontal or vertical mounting is possible. If the cabinets are mounted to a ceiling, the horizontal setup is recommended.

The following mounting options and angle settings are applicable no matter whether the cabinets are mounted to walls or ceilings or other suitable surfaces.

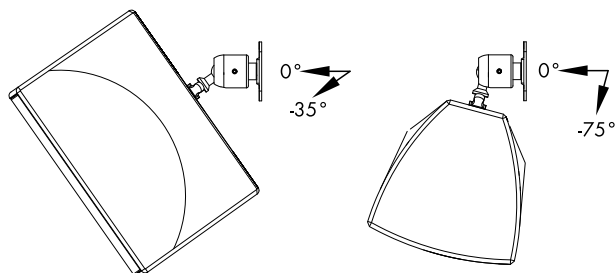
E4 loudspeaker

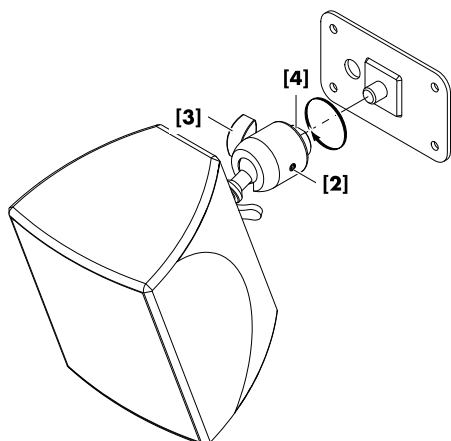
For the E4 cabinet, angles can be set from 0° to -50° (vertical setup) or from 0° to -80° (horizontal setup).



E5 loudspeaker

For the E5 cabinet, angles can be set from 0° to -35° (vertical setup) or from 0° to -75° (horizontal setup).





Attaching the assembly to the fixing plate

To attach the assembly to the fixing plate, proceed as follows:

1. Slacken the set screw **[2]** and the fixing screw **[3]** to release the M10 socket **[4]** of the ball joint.
2. Attach the assembly and bolt down the threaded insert to the mounting plate.
3. Tighten the M10 socket using the spanner (#17).
4. Set the desired angle of the cabinet and tighten the set screw **[2]** and fixing screw **[3]**.

2.1 Conformity

This declaration covers:

- d&b Z5357 E4/E5 Ball joint adapter.

National standards and technical specifications applied:

DIN 18 800, DIN 1055, DGUV Vorschrift 17, BGI 810-3.

Backnang, 2018-04-27



Frank Bothe,
Chief Technology Officer (CTO)
d&b audiotechnik GmbH & Co.
KG



2.2 Disposal

When out of use the rigging components must be disposed of in accordance with the national environmental regulations.

Ensure that damaged rigging components are disposed of in a way that they cannot be used again.

